

February 24, 2022

To,

The BSE Ltd.
Phiroze Jeejeebhoy Towers,
Dalal Street,
Mumbai - 400 001

National Stock Exchange of India Ltd.
Exchange Plaza, Plot No. C/ 1, G Block,
Bandra-Kurla Complex,
Sandra (E) Mumbai - 400 051

Scrip Code: 522029

Symbol: WINDMACHIN

Sub: Develop of New Product "SPRINT- 800"

Dear Sir/Madam,

We would like to informed that the Windsor Machines Limited has developed surpassing new product "SPRINT- 800" for the manufacturing of thermoplastic products and ready for Domestic as well as International Market.

Enclosed more details and same will be available on the website of the company.

Thanking you,

Yours faithfully,
For WINDSOR MACHINES LIMITED



DEEPAK VYAS
COMPANY SECRETARY



FUTURE NEXT

We are future ready to
make it possible.



WINDSOR
Partner in Progress



WINDSOR PLUGS THE 800 TON GAP WITH SPRINT 800

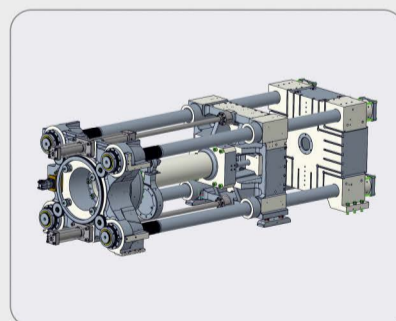
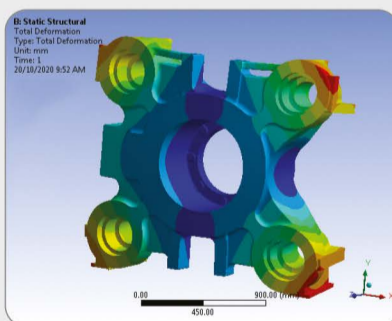
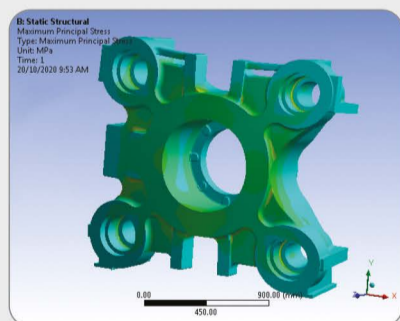
WINDSOR has developed a new model, Sprint-800, the next generation hydro-mechanical injection moulding machine that will open up new possibilities for the manufacturing of the thermoplastic products. It has been developed to adopt generous specifications of Clamp and Injection with technology advantages, compact footprint and an economic solution for the 800-ton machine requirement.

Innovation, just like change, is the only constant for us at Windsor Machines Ltd. With the expanding horizons of thermoplastic industry and limited space, there has been a rising need to reduce critical components from the machine and offer the customers more benefits and ease of operation.

Currently, the customers prefer ram type machines, in application segments like Furniture, White goods, Houseware, Automotive etc., in place of a Two Platen machine, as an alternative economic solution. Sprint-800 has not only plugged the gap but also offers following features with future ready technology.

Key highlights:

- Reduced energy consumption
- Higher productivity
- Low oil requirement
- Generous Specification
- Footprint reduction of 5~7% for the same daylight
- Improved reliability
- Injection unit on linear motion guides
- Ease in maintainability leads to reduced ownership cost
- Assured high price-to-performance ratio



Energy efficient, resilient and reliable, SPRINT-800 ensures higher performance, precision and flexibility in less floor space and making room for installing more machines on the shop floor. With its proven technological prowess, the SPRINT-800 is surprisingly compact and reliably efficient, which opens up new avenues of applications.

This hydro-mechanical machine inversion results in reduction in conversion cost, maintenance cost and heat load on the factory floor. With its flexible layout and compact size, the Sprint 800 integrates ideally with your production. No matter whether you produce large parts or highly sophisticated components.

The large platen dimension of SPRINT-800 enables universal utilities of different moulds and more versatility and high degree of flexibility that too with centre clamp force. Also, the Injection unit movement on linear motion guides helps in reducing the friction and results into reduced the energy demand. The optimized parts with documented element analysis help our customers achieve high strength to weight ratio, apart from ensuring lesser downtime in day-to-day operation.

A product of such specification with best energy efficiency is sure to attract more market demand for an 800-ton clamp force machine with improved reliability and optimum performance.

SPRINT-800 from Windsor ensures ease of manufacturing as well as maintenance with its simplified design of dummy ram without grooves, thanks to its exact gear teeth mechanism. Windsor, as a formidable name in the plastic industry domain, can deliver quality products, services and assistance to the customers.